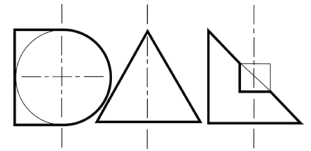


MINITRIM 62 DIRECTIONAL - CREE LED



MINITRIM 62 DIRECTIONAL Round recessed downlighter with no separate ceiling trim and a choice of deep cone reflector finish and beam distribution. The high-quality precision light controller with lens plus deep cone aluminium reflector gives visual comfort. The integral shield prevents views into the ceiling cavity and light leak when the lamp is angled.

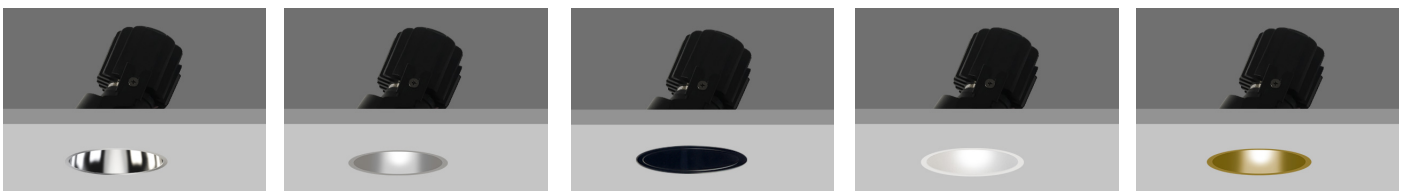
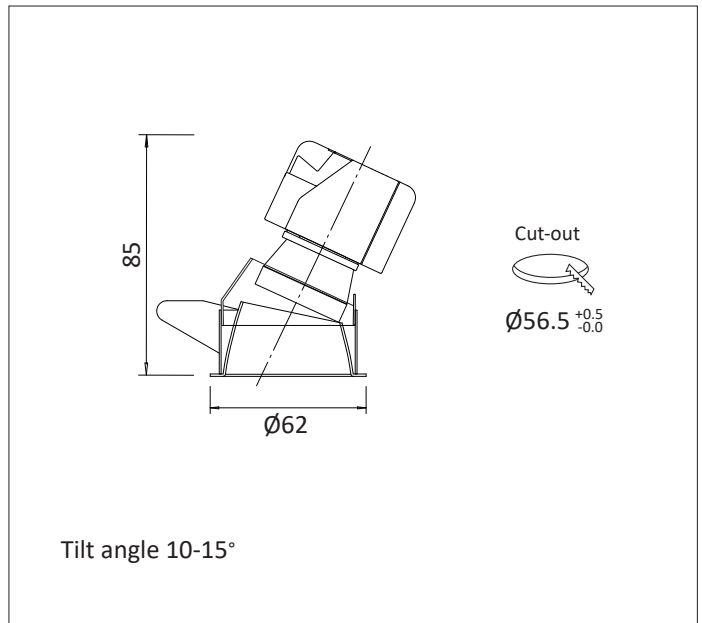
The MINITRIM 62 DIRECTIONAL is easy to install and incorporates the latest, high efficiency LED technology.

Colour consistency through life is ensured by state-of-the-art components and passive cooling aluminium heat sinks.

Standard colour temperatures: 2700K, 3000K, 4000K, colour rendering Ra >80 and >90 2-3 step Macadam are all available.

Life 50000 hours. A choice of drivers provide fixed supply or dimming to project requirements. IP20 durable, high specification diecast construction, colour powder coat finish provides longevity.

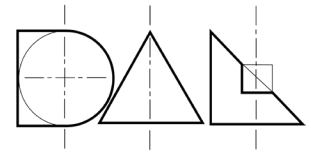
Built to conform to the requirements of BS EN 60598-1 and IEC 598. The MINITRIM 62 spring mechanism makes installation easy. Photometrically tested to LM-79-08 confirms MINITRIMs high performance.



	Spectro Silver	Specular Silver	Satin Silver	Black	White	Gold
IP20						
16°	F9028	F9021	F9022	F9023	F9024	F9025
30°	F9038	F9031	F9032	F9033	F9034	F8635
40°	F9048	F9041	F9042	F9043	F9044	F9045

CREE LIGHT ENGINE

CXB1310 - (6mm LES)



Engine Order Code	LED Source (Lumens)	CCT	CRI	Pd (W)	VF forward	Current
09H2	950	2700K	>80	7.11W	32.3	220 mA
11H2	1105	2700K	>80	8.46W	32.5	260 mA
12H2	1255	2700K	>80	9.82W	32.7	300 mA
09H3	990	3000K	>80	7.11W	32.2	220 mA
11H3	1151	3000K	>80	8.46W	32.5	260 mA
13H3	1308	3000K	>80	9.82W	32.7	300 mA
10H5	1000	4000K	>80	7.11W	32.2	220 mA
12H5	1200	4000K	>80	8.46W	32.5	260 mA
14H5	1400	4000K	>80	9.82W	32.7	300 mA

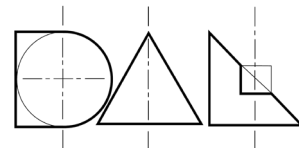
Primary Lumens Quoted via CREE Product Characterization Tool - CXB1310 Std 6r 36V
 2700K 80CRI typical [1459], 3000K 80CRI typical [1520], 4000K 80CRI typical [1613].
 The figures quoted use TCI (driver manufacturer) data.

Engine Order Code	LED Source (Lumens)	CCT	CRI	Pd (W)	VF forward	Current
07J2	779	2700K	>90	7.11W	32.2	220 mA
09J2	906	2700K	>90	8.46W	32.5	260 mA
10J2	1030	2700K	>90	9.82W	32.7	300 mA
08J3	826	3000K	>90	7.11W	32.2	220 mA
09J3	961	3000K	>90	8.46W	32.5	260 mA
10J3	1092	3000K	>90	9.82W	32.7	300 mA
09J5	903	4000K	>90	7.11W	32.2	220 mA
10J5	1050	4000K	>90	8.46W	32.5	260 mA
11J5	1193	4000K	>90	9.82W	32.7	300 mA

Primary Lumens Quoted via CREE Product Characterization Tool - CXB1310 Std 6r 36V
 2700K 90CRI typical [1197], 3000K 90CRI typical [1269], 4000K 90CRI typical [1387].
 The figures quoted use TCI (driver manufacturer) data.

Tolerance range for optical and electrical data: ±10 %.

DRIVERS & EMERGENCY



Driver Order Code

0	FIXED
1	1-10V
3	DSI
5	DALI
7	LEAD / TRAIL

Emergency Order Code

0	No emergency
E	3 hour maintained emergency pack
9E	with DALI Addressable with full error feed back

Full Product Number Example

F904113F290

F90 Minitrim 62 Fixed Cree LED- IP20

4 40°

7 Spectro Silver

13 1300

F CRI >80 - 3 Step MacAdam

2 2700K

9 Addressable

0 No Emergency